

# TECHNICAL DATA SHEET

## 150011

# ATTAX

### ATTAX CLIP BUTTERFLY®

Elastic attachment to fix two parts together.

### MAIN FEATURES

#### Technical data

**Blind assembly** in the window

**Function guaranteed** up to **6 disassembly**

**Load installation** on clip support **less than 20N** to a thickness of 1.5 to 2 mm

**Average load assembly** in ABS (polypropylene) window **25N -5/+10**

**Average load disassembly** in ABS (polypropylene) from **35N to 85N max.**

#### CHARACTERISTICS

##### Material

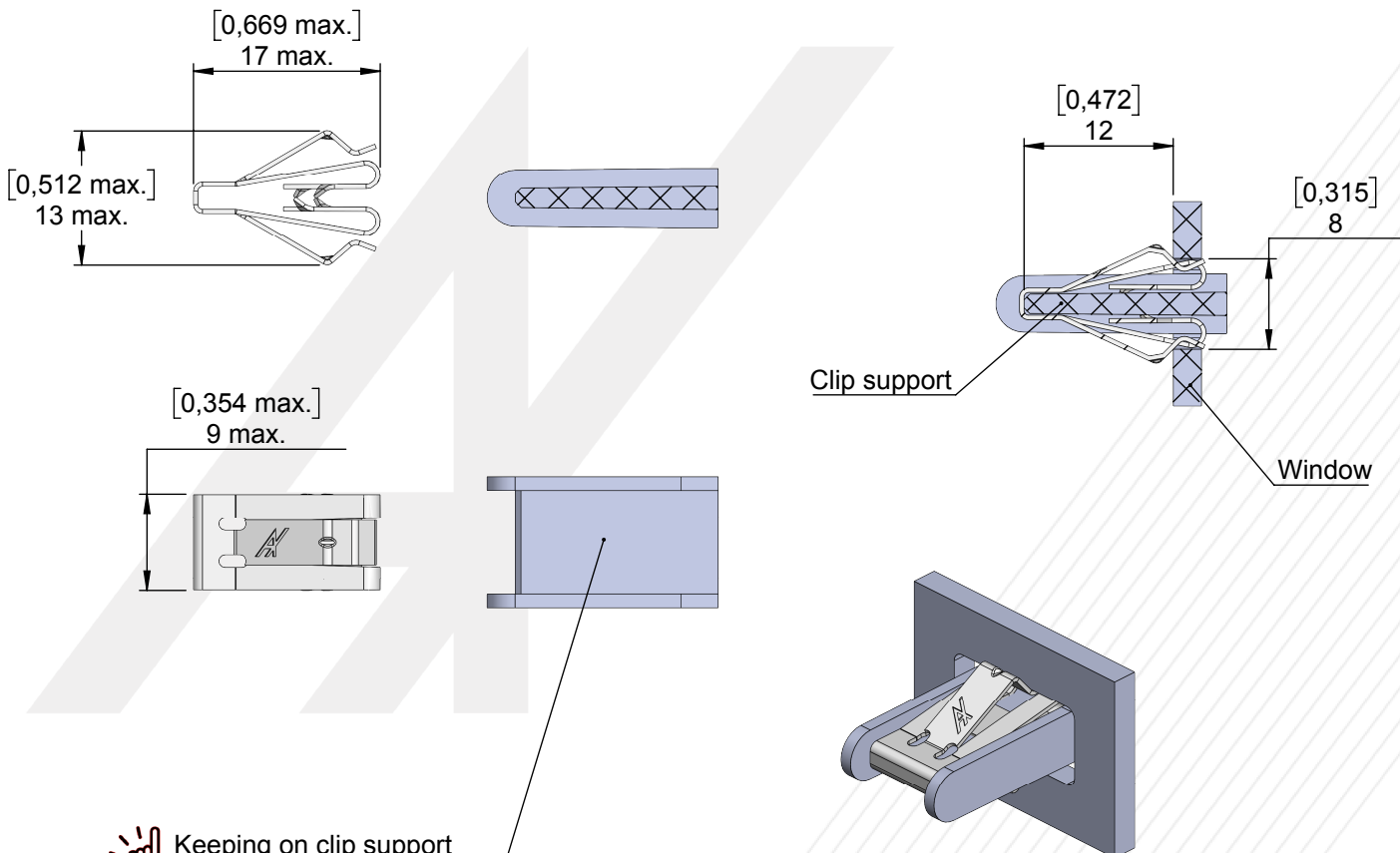
##### Treatment

Clip

Quenched and tempered steel

Grey Delta Protokt KL100

#### DIMENSIONS



Keeping on clip support by scratching on a surface.