

TECHNICAL DATA SHEET

150080



ATTAX CLIP ATTACH®

Elastic attachment to fix two parts together.

MAIN FEATURES

Technical data

To assembly two parts **one over the other**
Possible panels **thickness from 0.7 to 2.1 mm**

CHARACTERISTICS

Material

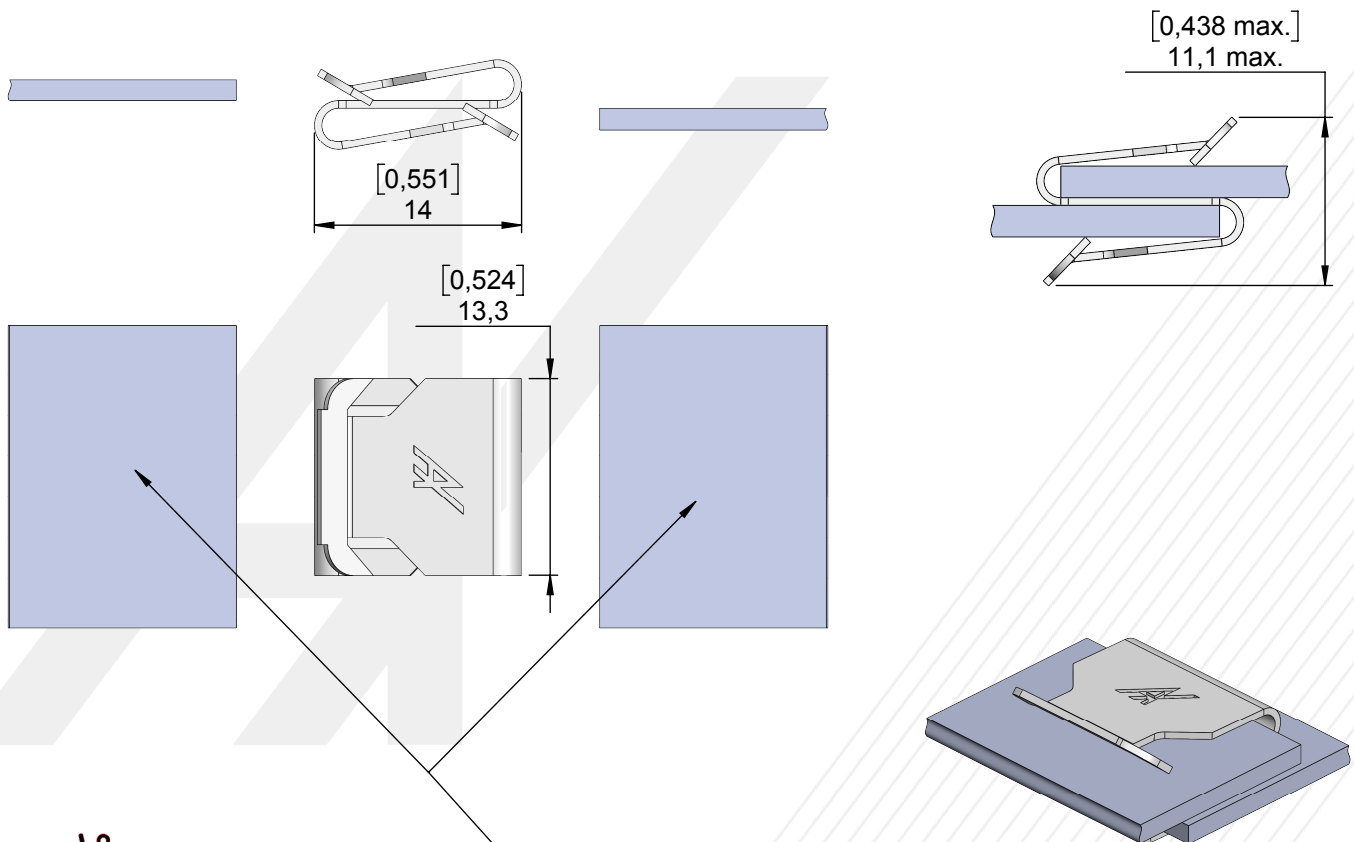
Treatment

Clip

Quenched and tempered steel

Grey Delta Protokt KL100

DIMENSIONS



Keeping on panel
by scratching on a surface.