

TECHNICAL DATA SHEET

150092

ATTAX

ATTAX CLIP BUTTERFLY®

Elastic attachment to fix two parts together.

MAIN FEATURES

Technical data

Blind assembly in the window

Disassembly impossible (only by the back side with potentially damages on the environment)

Load installation on clip support **less than 150N** to a thickness of 1.5 to 2 mm

Average load assembly in ABS (polypropylene) window **55N ±10**

Average failure load in ABS (polypropylene) window **245N ±10**

CHARACTERISTICS

Material

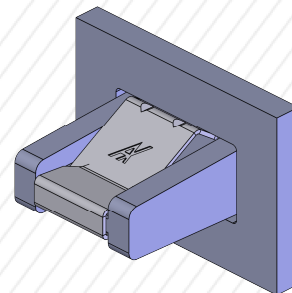
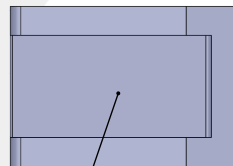
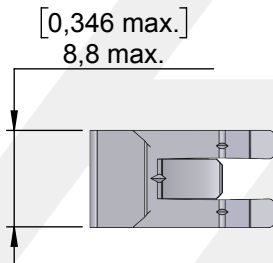
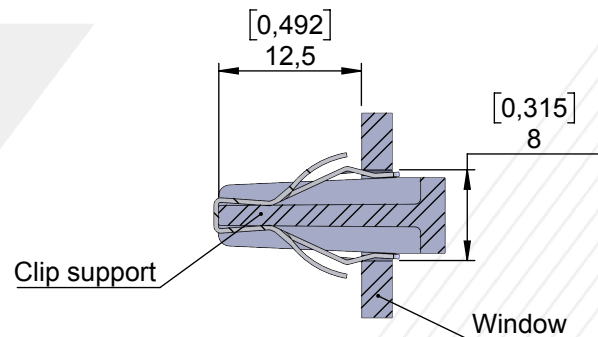
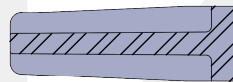
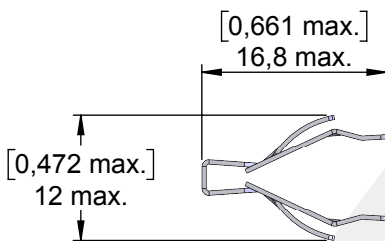
Treatment

Clip

Quenched and tempered steel

Grey Delta Protekt KL100

DIMENSIONS



Keeping on clip support by scratching on a surface.