

TECHNICAL DATA SHEET

150170



ATTAX CLIP BUTTERFLY®

Elastic attachment to fix two parts together.

MAIN FEATURES

Technical data

Blind assembly in the window

Function guaranteed up to 6 disassembly

Load installation on clip support less than 20N to a thickness of 1.5 to 2 mm

Average load assembly in ABS (polypropylene) window 25N -5/+10

Average load disassembly in ABS (polypropylene) window 100N -20/+10

CHARACTERISTICS

Material

Treatment

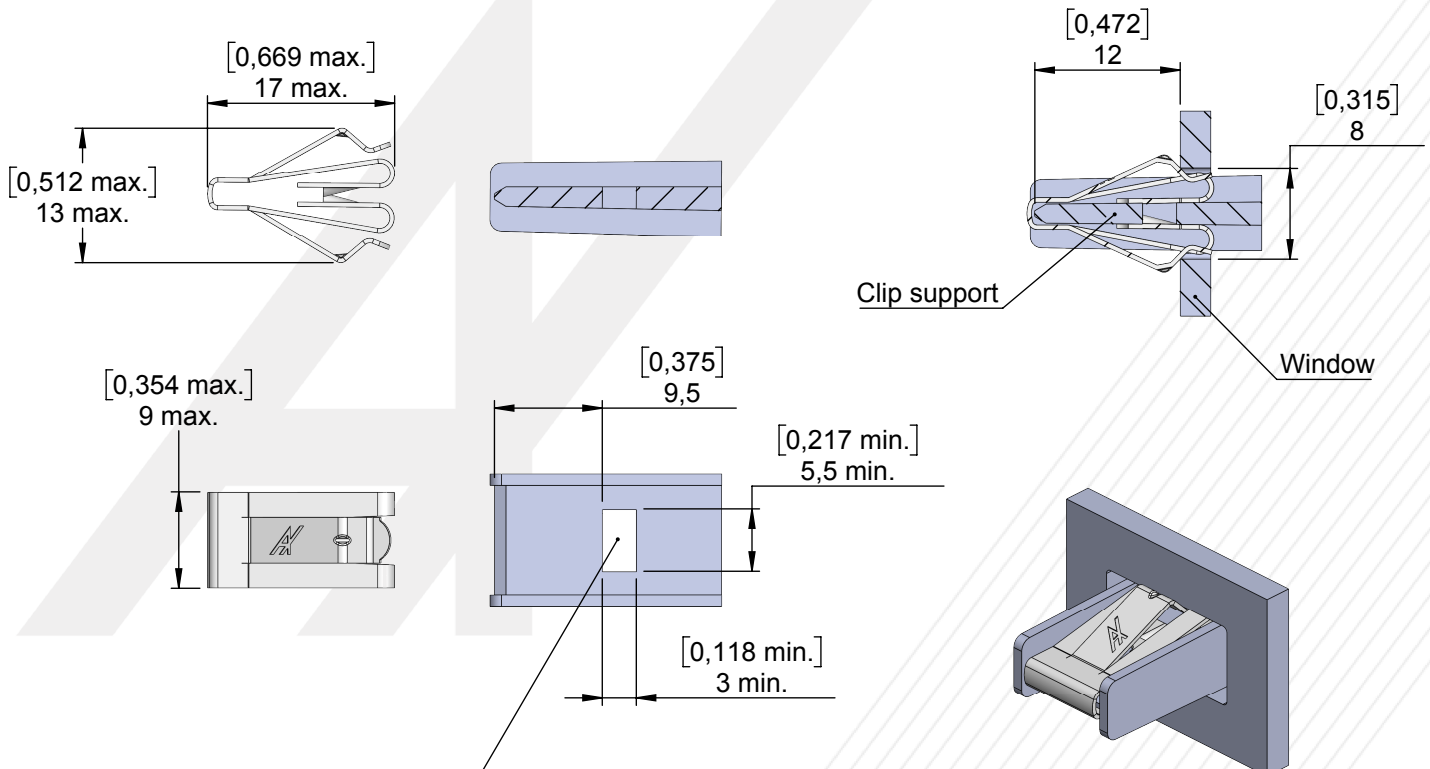
Clip


Quenched and tempered steel

Grey Delta Protekt KL100

White Zinc

DIMENSIONS



 Keeping on clip support by clipping into a window.