

TECHNICAL DATA SHEET

150200



ATTAX CLIP BUTTERFLY®

Elastic attachment to fix two parts together.

MAIN FEATURES

Technical data

Blind assembly in the window

Function guaranteed up to **6 disassembly**

Load installation on clip support **less than 20N** to a thickness of 1.5 to 2 mm

Average load assembly in ABS (polypropylene) window **40N ±15**

Average load disassembly in ABS (polypropylene) window **80N ±20**

CHARACTERISTICS

Material

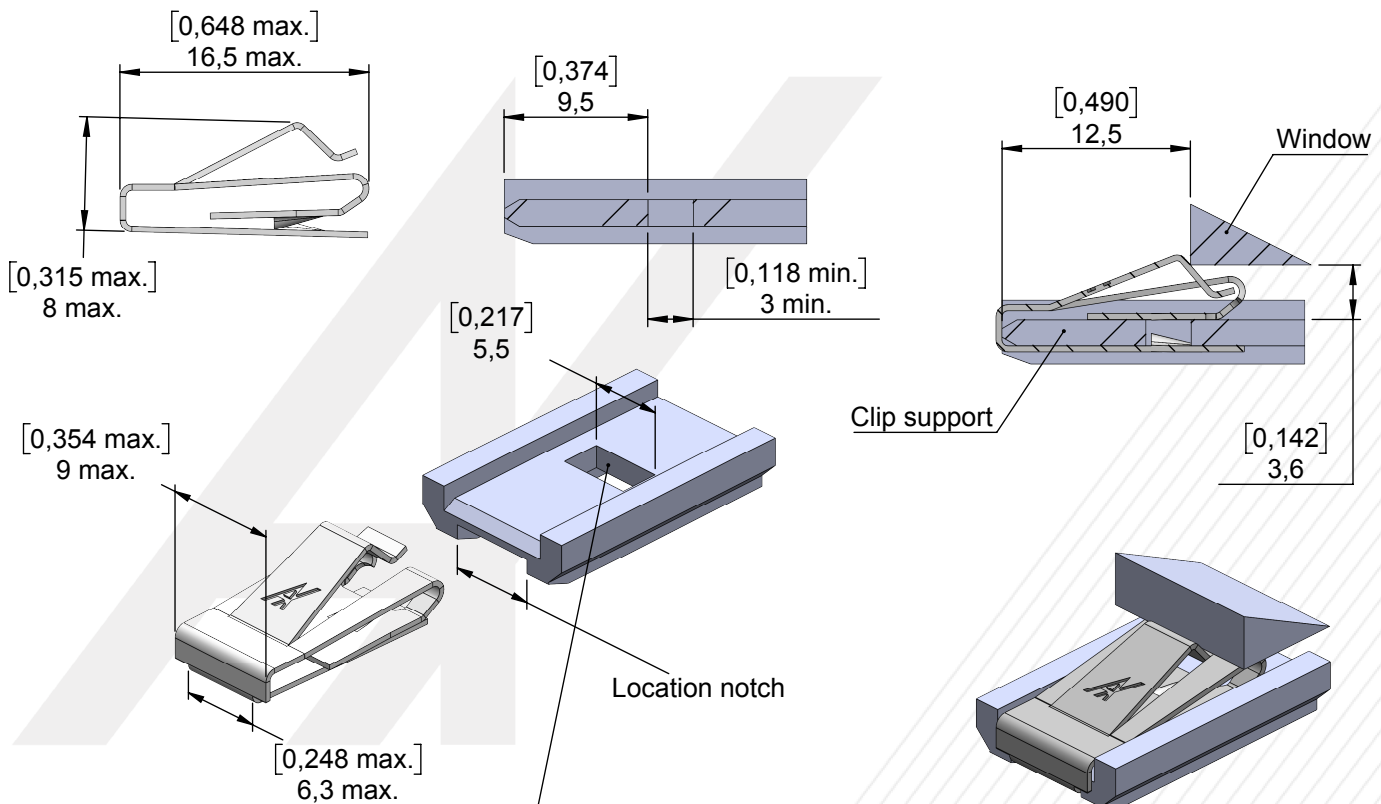
Treatment

Clip

Quenched and tempered steel

Grey Delta Protokt KL100

DIMENSIONS



Keeping on the receiving part by clipping into a window.