



TECHNICAL DATA SHEET

E12281-V4

■ REAR TRIPLE STUD FITTING
WEIGHT : 168 grs

FEATURES

Characteristics	
Fitting class	Single movement
Number of studs	3
Shear plunger	Yes
F _{xz} (for rear) / F _z (for front)	> 60 KN

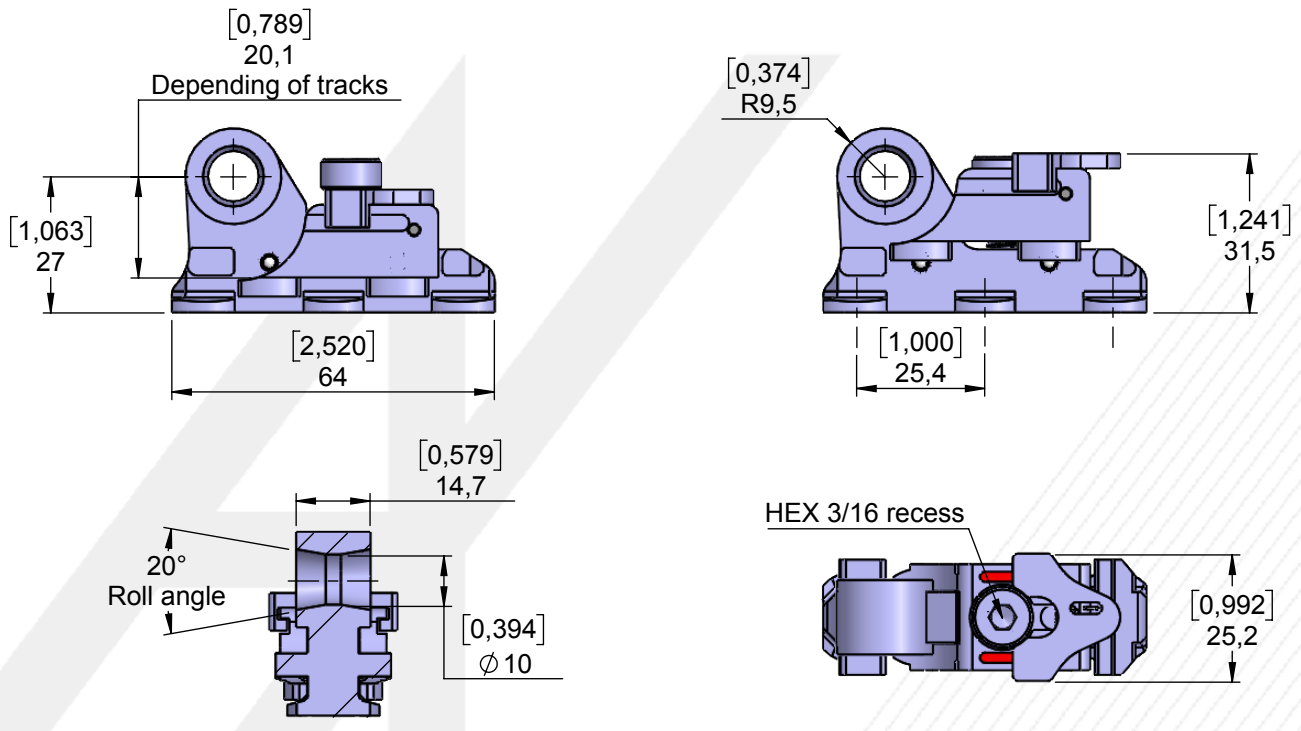
Aircrafts									
AIRBUS				BOEING				OTHERS	
A320	A330	A350	A380	B737	B747	B767	B777	(*)	
●	●	-	●	●	●	●	-	-	

(*) Indicated for other platforms, contact ATTAX for more information

COMPONENTS

	Material	Treatment
Body	Steel 4140 per AMS 6349	Zinc Nickel Type II Grade B per AMS 2417
Plunger	Steel 42CrMo4 per EN 10293	Zinc Nickel Type II Grade B per AMS 2417
Lever	--	--

DIMENSIONS



Technical data

Safety indicator	Yes	Tool-less	No	Secured locking	Yes
Red	Yes	Quick release	No	Offset	Yes
Green	No	Positive engagement	Yes	Captive screw	Yes