

TECHNICAL DATA SHEET SINGLE & DOUBLE STUD

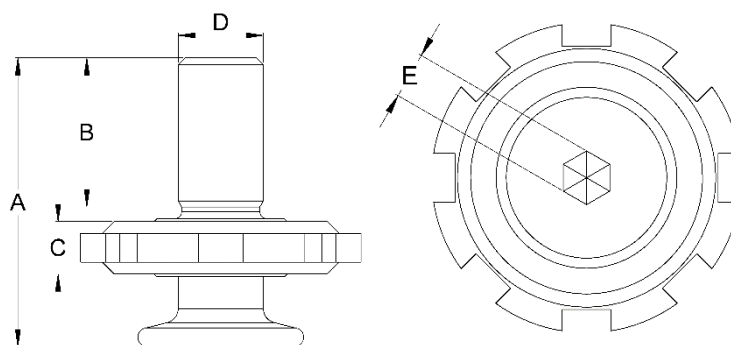


■ Load capacity $F_z > 18$ KN

DIMENSIONS

INCHES	A	B	C	D	E	Weight ⁽¹⁾	Washer	See table below		Thread
								Mat	Treat	
SINGLE STUD										
50T 1F1 001	1,272	0,657	0,232	3/8-24 UNF	HEX 3/16	47	Notched	A	ZN	-
550 051 941	1,272	0,657	0,250	3/8-24 UNF	HEX 3/16	47	HEX 0,875	A	BL	-
550 052 949	1,272	0,657	0,232	3/8-24 UNF	HEX 3/16	47	Notched	A	BL	-
550 053 949	1,219	0,604	0,232	3/8-24 UNF	HEX 3/16	46	Notched	A	BL	-
550 054 941	1,626	0,984	0,232	3/8-24 UNF	HEX 3/16	51	Notched	A	ZN	-
550 056 949	1,219	0,604	0,232	3/8-24 UNF	HEX 3/16	46	Notched	A	BL	Left hand
550 057 941	1,219	0,604	0,232	5/16-24 UNF	HEX 3/16	43	Notched	A	ZN	-
550 058 941	1,000	0,457	0,125	1/4-28 UNF	HEX 3/16	29	Notched	A	ZN	-
DOUBLE STUD										
550 151 941	1,299	0,630	0,232	3/8-24 UNF	-	60	Notched	A	ZN	-
550 152 941	1,247	0,578	0,232	5/16-24 UNF	-	56	Notched	A	ZN	-

(1) Grams



COMPONENTS

Material		Treatment	
A	Steel 36CrNiMo 16 (35NCD16)	ZN	Zinc Nickel Type II Grade B per AMS 2417
		BL	Black Zinc Nickel Type II Grade B per AMS 2417